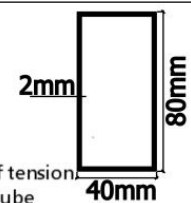
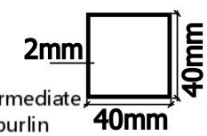
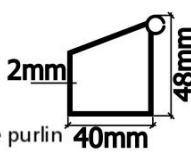
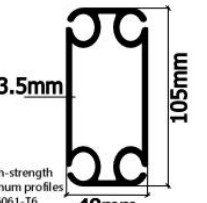


| Item | Specification |
|---------------------|---|
| Clear-span width | 6m |
| Eave Height | 2.47m |
| Ridge Height | 5.23m |
| Bay Distance | 6m |
| Wind Loading | ≤100km/h |
| Minimum Tent Length | 6m |
| Roof Fixing | bar tensioning |
| Framework Profile | 48mm*105mm*3.5mm |
| Eave Connection | Hot dip Galvanized aluminium cube tube |
| Cover Material | PVC Knife coated nylon fabric; 750g/m ² |

Optional Accessories

- PVC window sidewalls
- Anchoring
- Rain Gutter
- Lining and curtain
- Glass door units
- Hard walling system
- Glass walling system
- Transparent PVC cover and sidewall
- Flooring system
- Weight plate

Framework main profile dimension and use

| | |
|--|--|
|  <p>Roof tension tube</p> |  <p>Intermediate purlin</p> |
|  <p>Eave purlin</p> |  <p>High-strength aluminum profiles 6061-T6</p> |

